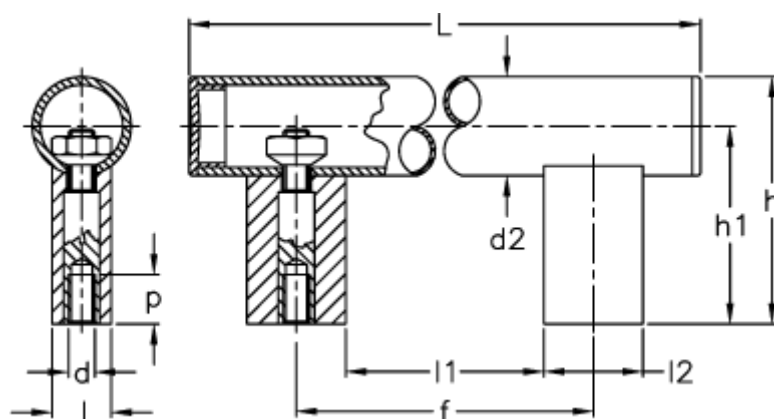


Article number: 2304151506

Description: E+G Tubular handle
M.1066 BM/30-250 CLEAN

Measures



$d_2 = 30$

$d\ 6H = M8$

$f = 250 \pm 1$

$h = 75$

$h_1 = 60$

$l = 18$

$L = 315$

$l_1 = 220$

$l_2 = 30$

$p = 15$